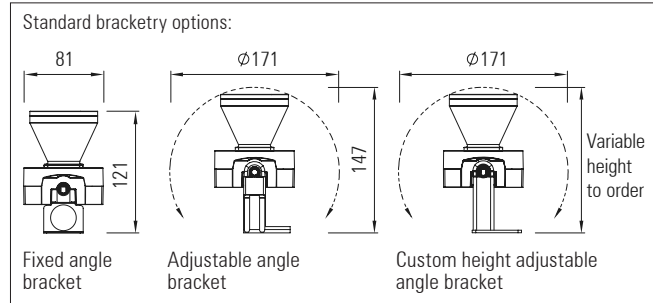
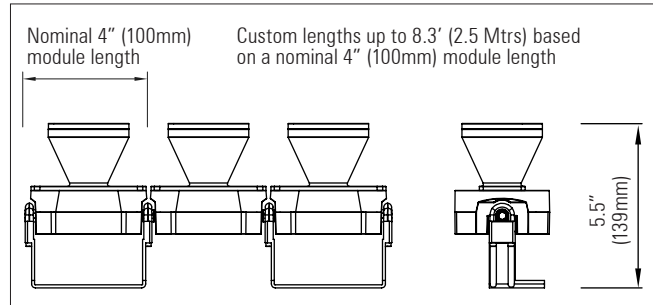


3D LED Flex system 100 IP66 Class 2

1 x high-power LED with 4° beam lens per module

Modular, 3D flexible LED linear lighting system



1 x high-power LED with ultra-narrow beam lens per module

Modular, 3D flexible LED linear lighting system

Product description:

For use in exterior wall grazing and decorative lighting applications where the building surfaces are non linear with curved profiles

Each module comprises of: 1 x Cree XHP35 HI LED with a LEDIL LEIA lens system which produces a 4° spotlight beam

An additional sublens can produce a narrow high-aspect (50° + 5°) oval beam

Up to 10 Watts per 4" (100mm) module

30 Volt - 48 Volt DC supply depending on application

Flexible in 3 dimensions - Articulated ball-joint system between modules

LED pitch is maintained between the modules

Side, back and end power feed and connector options allow for continuous lighting with no dark areas between fixtures. 17.5 Amp IP68 connectors join fixtures together on-site

Integral LV constant current driver

Dimming options available: 1-10V, DMX and DALI. Separate dimming channel

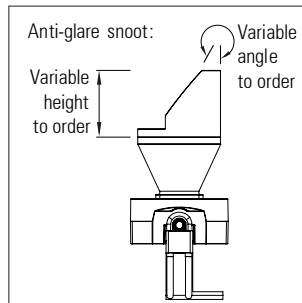
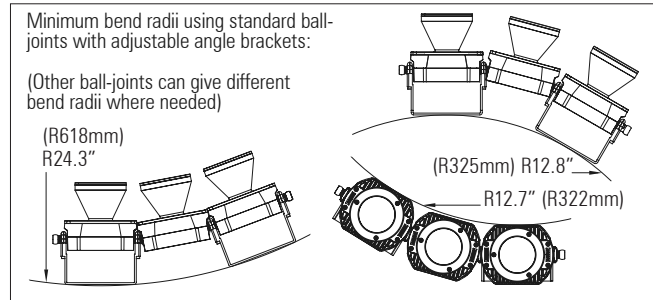
Various LED colour temperature and CRI options available

Satin black, satin white or any RAL paint colour finish

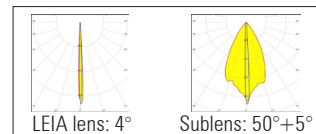
Custom lengths based on a 4" (100 mm) module up to 8.3' (2.5 mtrs)

Various mounting options and bracket types are available

Low iron UV block glass covers or UV stable polycarbonate windows



Up to 2,042 lumens per ft
(Up to 6,700 Lumens per Mtr)



Product Code	No. of LEDs	IP	Length	LED Type	Colour Temp. (K)	CRI	Optics (°)	Anti-glare Snoot	Bracket Type	Cover	Finish
RAD 3D LED FLEX 100 IP66 ULTRA NARROW	10 LEDs per Mtr:	66	4" (100mm)	Cree: XHP35 HI	27=2,700k	80	LEDIL LEIA lens: Ultra-narrow 4° spot beam	Cut-angle: 0° - 75° (increments of 5°)	Adjustable angle	Low iron UV block glass	Black White Any RAL colour
	(100mm pitch between LEDs)		-increments of 4" (100mm) up to-		30=3,000k				35=3,500k		
			8.3' (2.5 mtrs)				+ sublens: Ultra-narrow 50° + 5° oval beam	Height: specify height	Custom height adjustable angle (specify leg height)	UV stable PC	